

USER GUIDE

VLOT

Wireless Active Speaker System

Starke Sound Inc.
17810 S. Main Street, Suite B
Gardena, CA 90248

www.starke-sound.com





Safety instructions

- 1) Read, follow and keep these instructions
- 2) Do not remove the back panel or drivers as repairs require qualified technicians
- 3) Do not use the product near water
- 4) Do not install near heat sources such as radiators, heat registers, stoves or amplifiers
- 5) Clean the product only with a damp cloth
- 6) Use care when lifting or moving this heavy product
- 7) Protect the power cord from being walked on or pinched
- 8) Unplug during lightning storms or when unused for long periods of time
- 9) Ensure that no objects filled with liquids, such as vases, are placed on the product

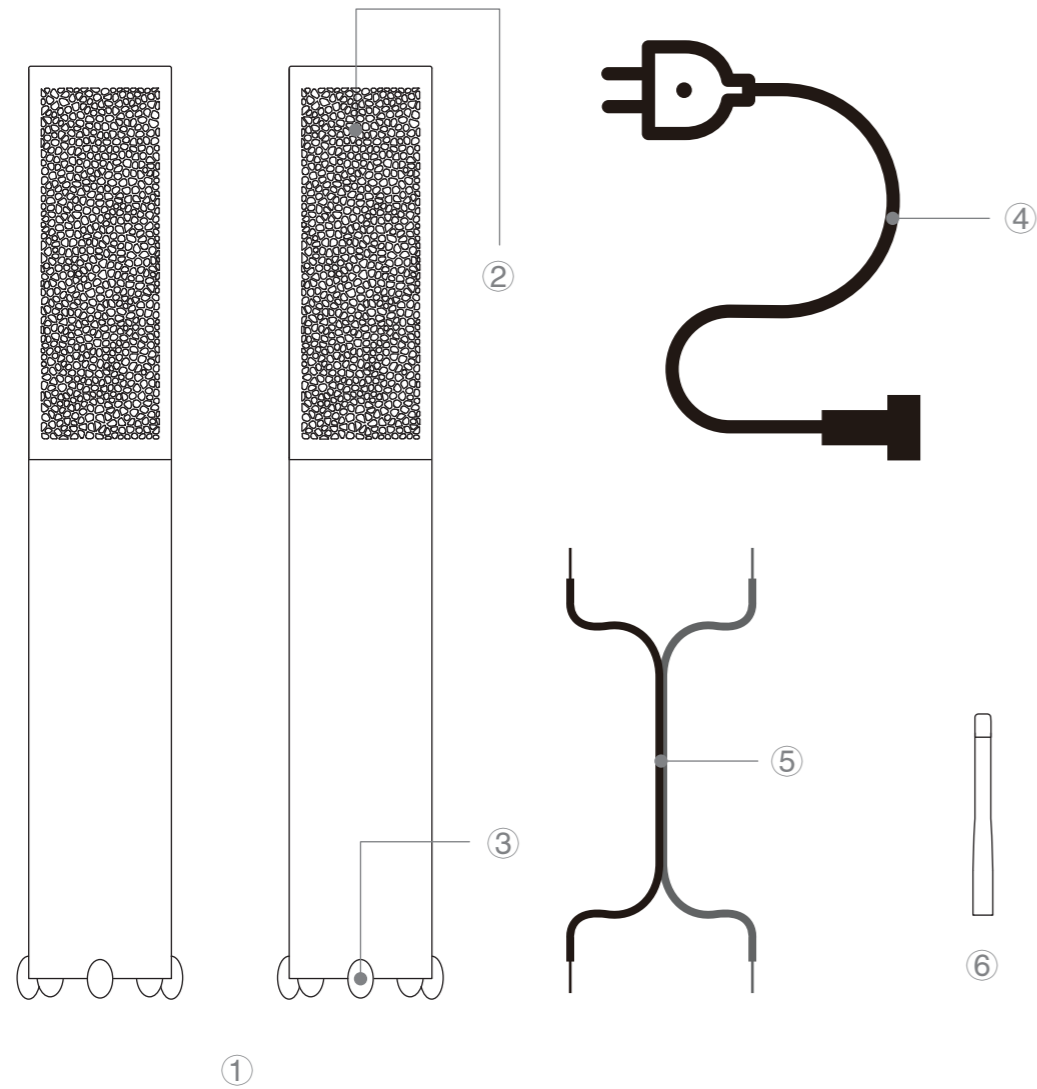
Limited warranty

3 years from purchase date

(Save original invoice for service to be arranged through your dealer, or contact us by email if you purchased your amplifier online: service@starkesound.com)

www.starkesound.com

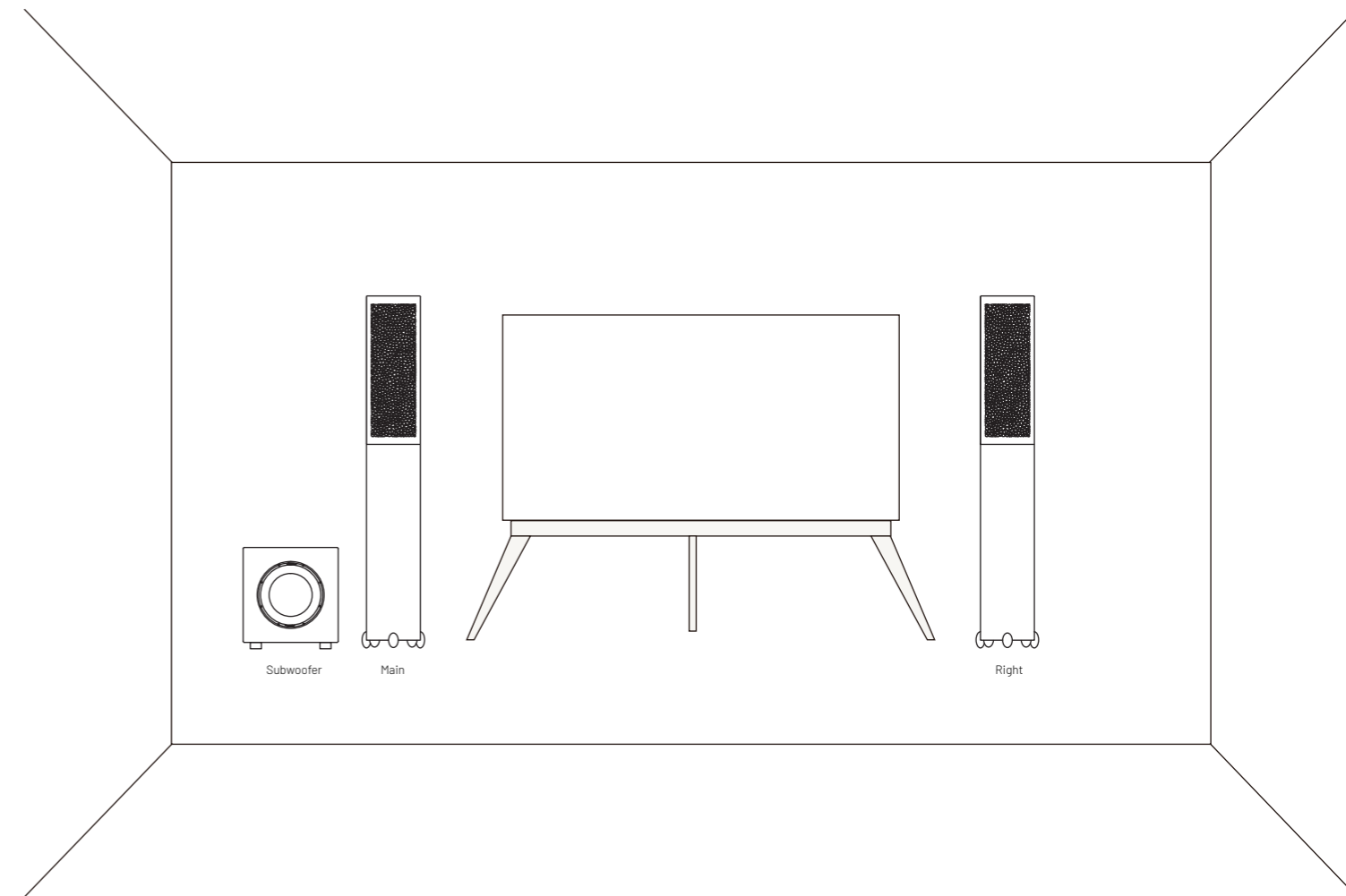
1.0 What's in the box





1. 1 pair of speakers
2. 1 pair of grilles
3. 6 feeters on which to mount the speakers
4. 1 power cord
5. 1 speaker cable
6. 1 Bluetooth antenna.
7. User guide

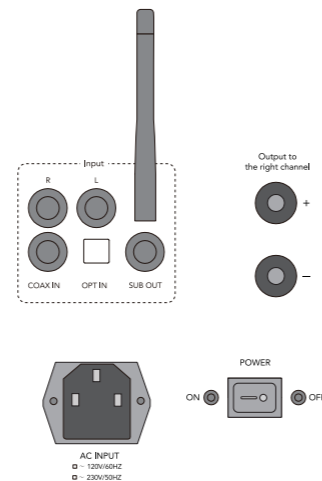
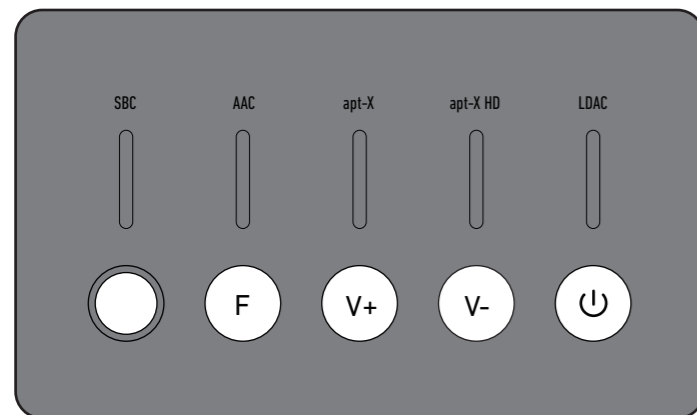
2.0 Placement

1. The control or active speaker is the Left speaker. When you face the speakers from the listening position, be it should be placed at left front.
2. The passive speaker is the Right speaker. It should be placed at right front.
3. If you have a subwoofer, you should connect it to the "SUB OUT" of the main speaker with an RCA cable (user supplied). Place the subwoofer where it sounds best in your room (eg, in a corner for more bass output; along a side wall for less output).



3.0 Set-up instructions

1. Connect the Bluetooth antenna to the back panel of the control (Left) speaker.
2. Connect the power cord.
3. Connect the speaker cable from the Left speaker to the Right speaker
4. Power-on using the on/off switch on the back panel (top panel buttons will illuminate)
5. Press  for 3 seconds (blue light will illuminate)
6. Press "F" to choose the input channel: Bluetooth (blue light), AUX (white light), OPTICAL (red light), COAX (green light)
7. Power-off by pressing  for 3 seconds (blue light will be off). You can also power-off the speakers using the power switch on the back panel.



4.0 Bluetooth

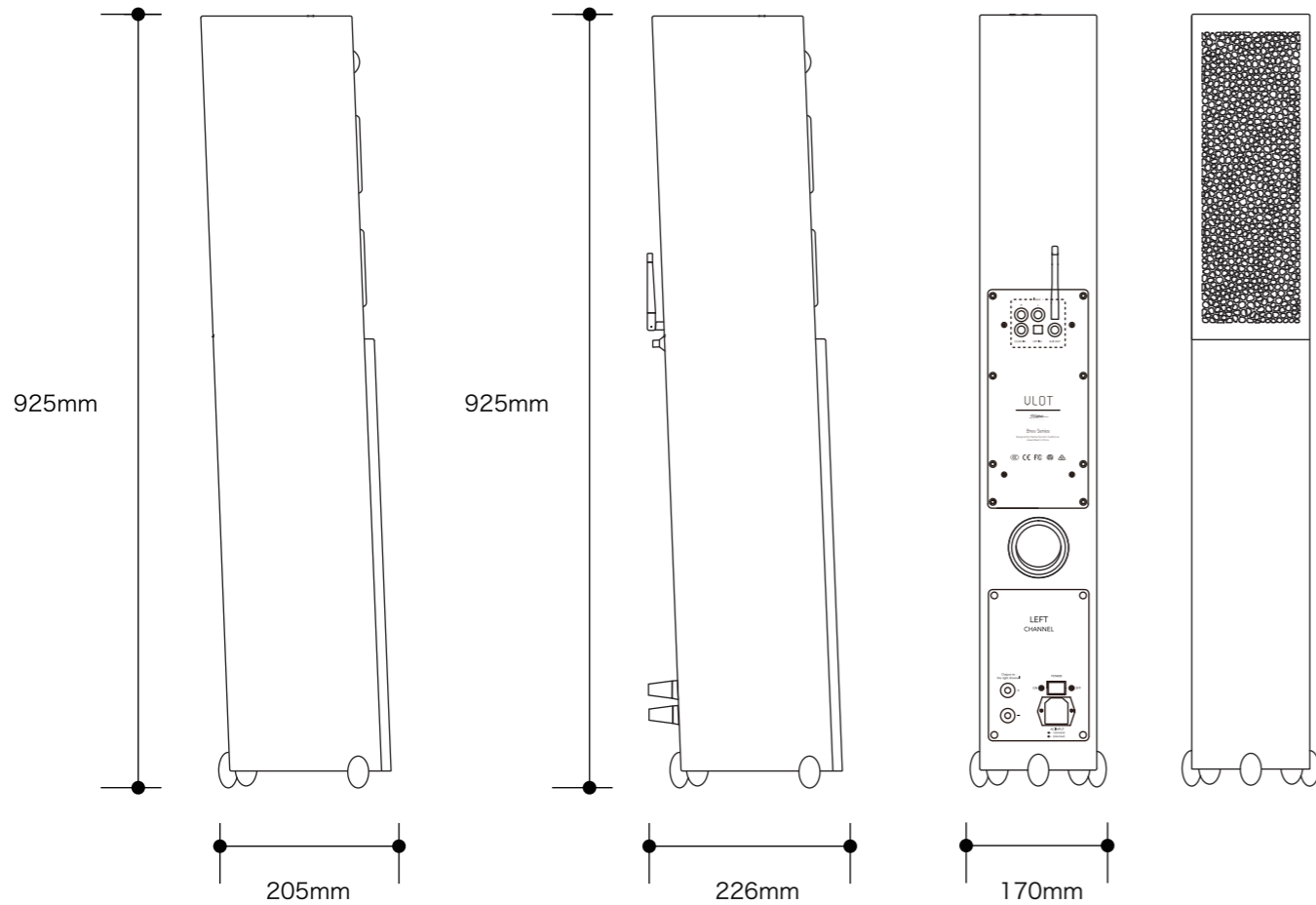
1. If you choose Bluetooth, the blue light will flash. Use your cell phone or other Bluetooth device to search for, then discover "VLOT". Press "connect". When connected, the blue light will be steady. Your connection format is indicated on the top panel: SBC, AAC, apt-X, apt-X HD, or LDAC.
2. With Apple iPhone or iPad, the format will be AAC.
3. With an Android phone, go to Settings > System & updates > Developer options to view the Bluetooth audio formats: SBC, apt-X, apt-X HD, or LDAC.
4. Press the "V+" or "V-" button to change volume.
5. Then play your favorite music!

5.0 AUX / OPTICAL / COAX

1. Connect your RCA cables (AUX), Optical-fiber cable (OPT) or Coaxial cable (COAX) from your CD-player, DVD player, Streamer or TV to the input of VLOT (L/R / OPT IN / COAX IN).
2. Press the "F" button to choose the desired input channel.
3. Press the "V+" or "V-" button to change volume.
4. Play your favorite content!

Note: You can turn off your VLOT in any status. When you turn on your VLOT again, VLOT will remember your last settings (including input channel and volume).

6.0 Drawing



7.0 Technical Specifications

Drivers	1 inch tweeter 2 x 4 inches mid-bass
Amplifier	2 x 150W RMS
Max SPL output (1m)	108dB
Frequency response (±3dB)	45Hz-25kHz
Cabinet Structure	Ported
Input terminals	Bluetooth input RCA stereo inputs, a pair Coaxial input Optical input Power input (Control speaker) Binding post inputs, a pair (Companion speaker)
Recommended distance of bluetooth connection	less than 10 meters
Volume control	Yes
Input shifter	Yes
Mode Memory	Yes
Crossover	3900Hz
Sensitivity	90dB
Impedance	4 ohms
Bluetooth Chip	CSR8675
DAC Chip	ES9018K2M
Amplifier Chip	TPA3255
Power selector	Off/On
Volt Switch	115V/230V
Power Consumption	Standby: 4W Idle: 8.5W Maximum: 500W
Grille	Composite polymer
Finish	ABS Varnish
Color options	Black Satin / White Satin / Limited edition
Full size	H 36.4 x W 6.7 x D 8.9 inches (w/ foot) H 925 x W 170 x D 226mm (Control speaker, w/ foot) H 36.4 x W 6.7 x D 8.1 inches (w/ foot) H 925 x W 170 x D 205mm (Companion speaker, w/ foot)
Weight	25.6 lbs/11.6kg (Control speaker) 20.3 lbs/9.2kg (Companion speaker)
Shipping size	L 43 x W 22.8 x H 11.4 inches (Pair) L 1040 x W 580 x H 290mm (Pair)
Shipping weight	62 lbs (28kg)
Warranty	3 years (from original purchase date)

8.0 Limited warranty

Starke Sound will repair for the original owner any defect in materials or workmanship that occurs in normal use of the speaker system, without charge for parts and labor, for 3 years from the date of purchase.

It is your responsibility to use the product according to the instructions supplied, to provide safe and secure transportation to an authorized Starke Sound service representative, and to present proof of purchase from an authorized Starke Sound dealer in the form of your sales slip when requesting service.

Damage that results from abuse, misuse, accidents, shipping, repairs, or modifications by anyone other than an authorized Starke Sound service representative is excluded from this warranty. This warranty is void if the serial number has been removed or defaced.

This warranty gives you specific legal rights, and you may also have other rights that vary from state to state.

If Service Seems Necessary

Contact the dealer from which you purchased the speaker system. If that is not possible, email us at: service@starkesound.com

or write to:

Starke Sound, Inc.

ATTN: Service Department

17810 S. Main St. Ste. B, Gardena, CA 90248

We will promptly advise you of what action to take. If it is necessary to return your speaker system to the factory, please ship it prepaid in the original factory packaging. Please note that Starke Sound will not be held liable for shipping damage due to improper packaging. After it has been repaired, we will return it freight prepaid in the U.S. or Canada.



For Europe Customers only

This symbol found on the product indicates that the product must not be disposed of with household waste. Instead, it may be placed in a separate collection facility for electronic waste or returned to a retailer when purchasing similar product. The producer paid to recycle this product. Doing this contributes to reuse and recycling, minimizes adverse effects on the environment and human health and avoids any fines for incorrect disposal.